

Ultimate Multi-Slide Door

Site Prep Guide



Preface

The Ultimate Multi-Slide door system requires proper site preparation to ensure optimal performance and operation after installation. The Ultimate Multi-Slide Site Preparation Instruction will provide the necessary information to properly prepare the wall opening for ease of installation and operational integrity.

Site preparation begins with prepping the opening for the specified sill system. The selected sill and substrate must offer the door system support which spans the width and depth of the unit. The exterior sill liner must be completely supported. Several sill options are available for consideration. Regardless of sill type, the foundation must support the sill height variance requirement of 1/16" (2) maximum across the entire sill length.

In conjunction with the sill, the framing of the rough opening must be installed plumb, square, and true within 3/16" (5). The header must be flat and designed to uphold the deflection requirement of not more than 1/8" (3) over the entire length of the unsupported span when fully loaded. Side jambs and pocket framing must be constructed of a continuous flat solid surface that is plumb.

NOTE: IZ3 panel weight can be approximated using 8.27 lbs/sq. ft.

NOTE: Numbers listed in parentheses () are metric equivalents in millimeters rounded to the nearest whole number.



WARNING

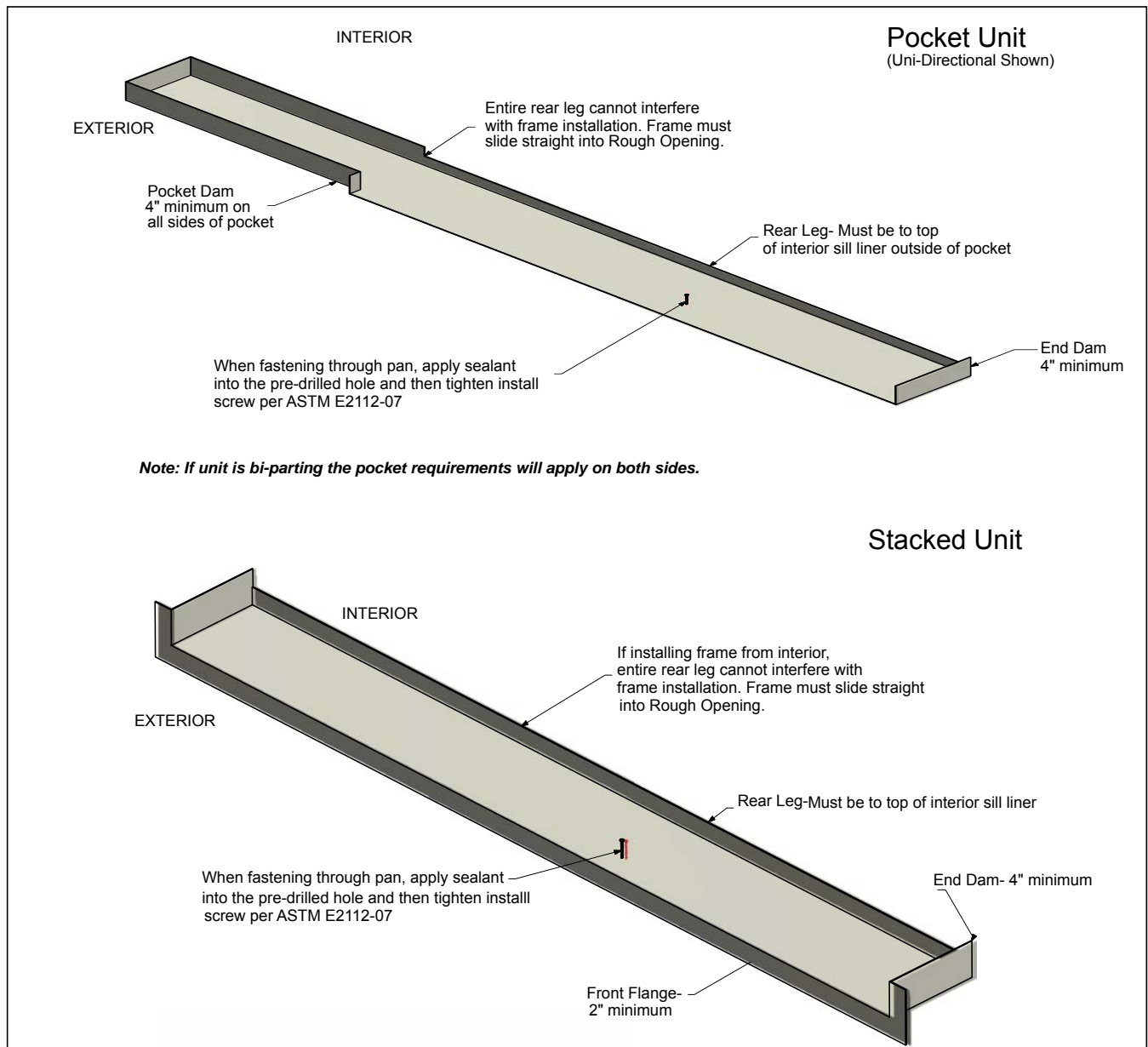
Always practice safety! Wear the appropriate eye, ear and hand protection, especially when working with power tools.

Water Management System – Panning

We require a sill pan for all Multi-Sliding doors in accordance with ASTM E2112. A sill pan is installed across the bottom of the opening and integrated into the weather-resistive barrier (WRB). The illustrations below show the basic requirements. Modification may be needed depending on your Rough Opening and alternative field preparation.

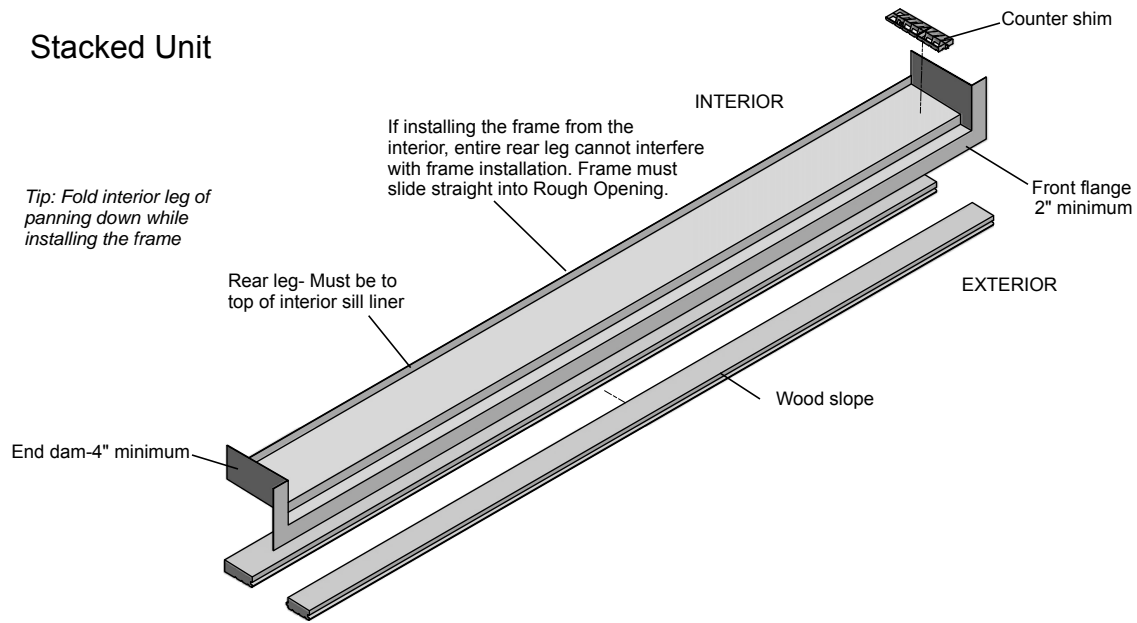
Types of pan flashing material (Based on ASTM 2112-07)		
Rigid Sheet	1 piece or multiple pieces	Type I
Rigid Sheet	Multiple pieces	Type II
Flexible Membrane	1 piece or multiple pieces	Type III
Combination System	Multiple pieces	Type IV
Liquid Membrane	Continuous coating	Type V

Flush and Performance Sill Panning

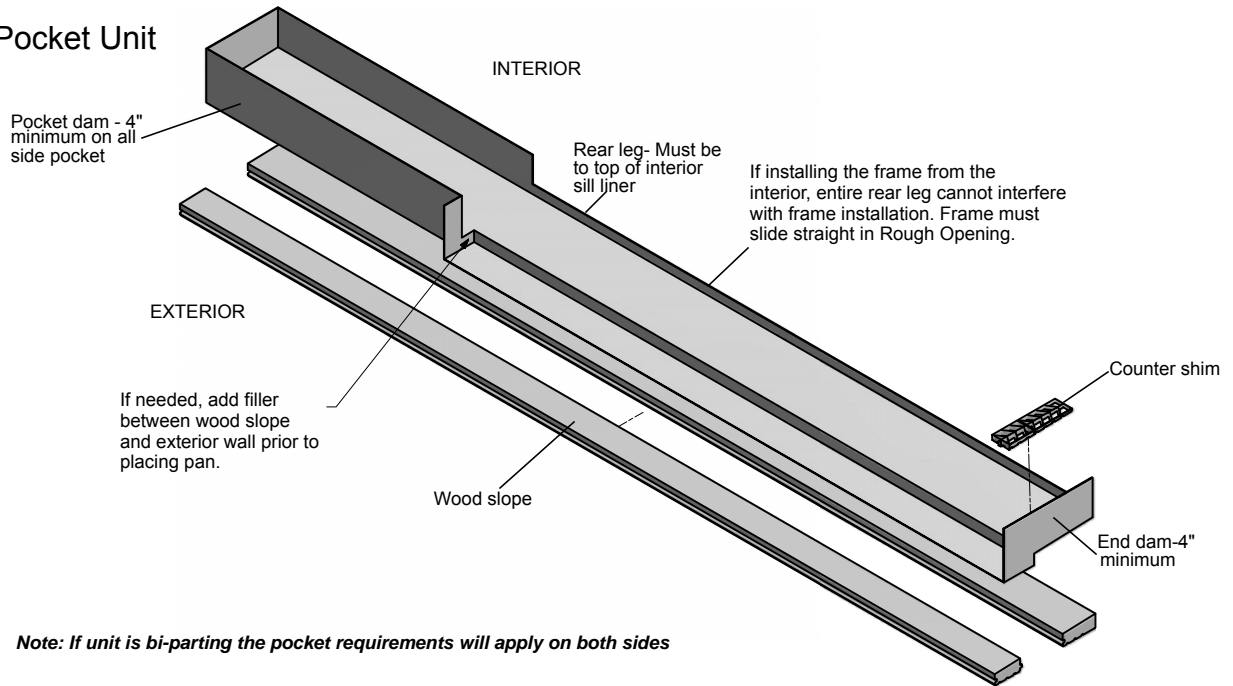


High Performance Sill Panning

Stacked Unit



Pocket Unit



Note: If unit is bi-parting the pocket requirements will apply on both sides

Sill Systems

Performance Sill System

The sill system requires a maximum of 1/16" (2) variance in height across the entire length of the sill. A laser level may be helpful in preparing the opening.



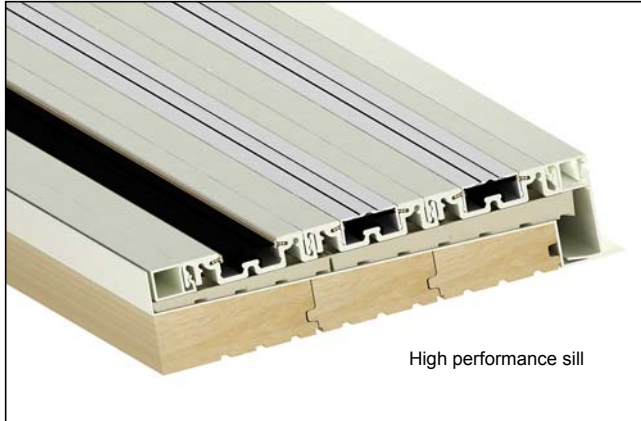
Flush Sill System

The sill system requires a maximum of 1/16" (2) variance in height across the entire length of the sill. A laser level may be helpful in preparing the opening.

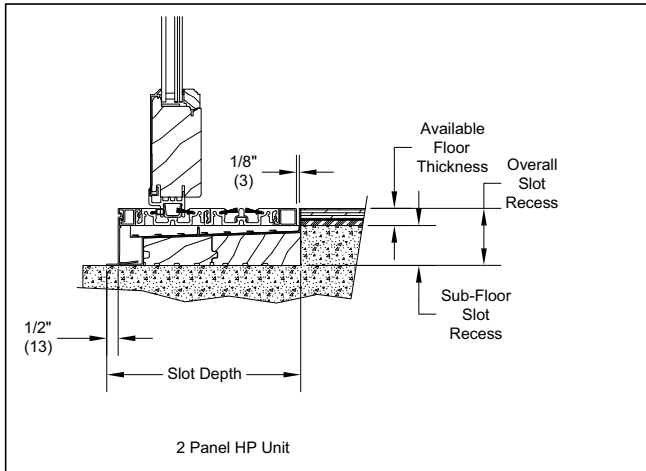


High Performance Sill System

The sill system requires a maximum of 1/16" (2) variance in height across the entire length of the sill. A laser level may be helpful in preparing the opening. For required slot size information, refer to the table below. For a recessed sill, please refer to the floor thickness table.



Slot Depth	Measurement
1 Deep Track	5 7/16" (138)
2 Deep Track	8 29/64" (215)
3 Deep Track	11 15/32" (291)
4 Deep Track	14 1/2" (368)
5 Deep Track	17 1/2" (445)
6 Deep Track	20 17/32" (521)



Available Floor Thickness	Sub-Floor Slot Recess
0"	2 1/2" (64)
1/4" (6)	2 1/4" (57)
1/2" (13)	2" (51)
3/4" (19)	1 3/4" (44)
1" (25)	1 1/2" (38)
1 1/4" (32)	1 1/4" (32)
1 1/2" (38)	1" (25)
1 3/4" (44)	3/4" (19)
2" (51)	1/2" (13)
2 1/4" (57)	1/4" (6)
2 1/2" (64)	0"

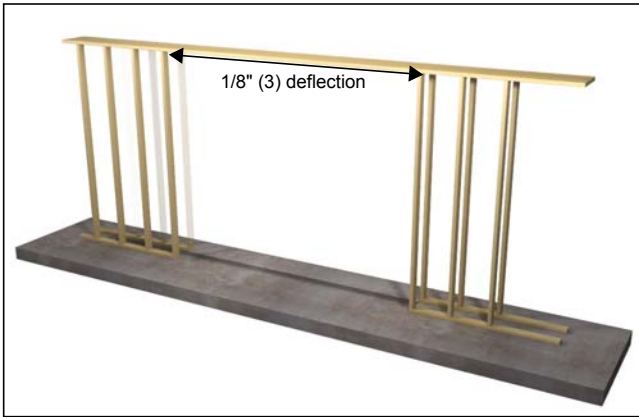
Framing Considerations

Framing the opening at the header, side jambs and pocket interlocks for a Multi-Panel Door system vary with both the number of sliding panels that stack at the jambs and the height and width of the panels. Frame must be plumb, square, and true within 3/16" (5).

Head Jamb

Deflection over the entire length of the unsupported span cannot be greater than 1/8" (3) after the header beam has been fully loaded. The head jamb supplied with your door functions as a panel guide. The entire header opening requires a flat solid surface for installation of the head jamb mounting screws to the framing. The entire length of the mounting surface must be as wide as the head jamb.

NOTE: Hard to move panels can be the result of the structures' header sagging and restricting door operation. Excessive header sag may restrict door operation altogether.



Side Jamb

The side jamb rough framing must be within 1/8" (3) plumb and true with a continuous flat solid surface the width of the supplied jamb in order to provide a secure mounting surface for installation hardware. A minimum of 3" substrate is required for fastening.

IMPORTANT

The side jamb framing rough opening height is determined from the sub-floor and must take into account the finished flooring thickness.



Pockets

Construct the exterior wall to comply with local building codes. Paint the inner sheathing black before construction if desired.

IMPORTANT

The interior walls must be framed after the frame is installed.

Pocket Depth	
1 Deep Track	5 15/64" (133)
2 Deep Track	8 1/4" (210)
3 Deep Track	11 17/64" (286)
4 Deep Track	14 19/64" (362)
5 Deep Track	17 5/16" (440)
6 Deep Track	20 21/64" (516)

